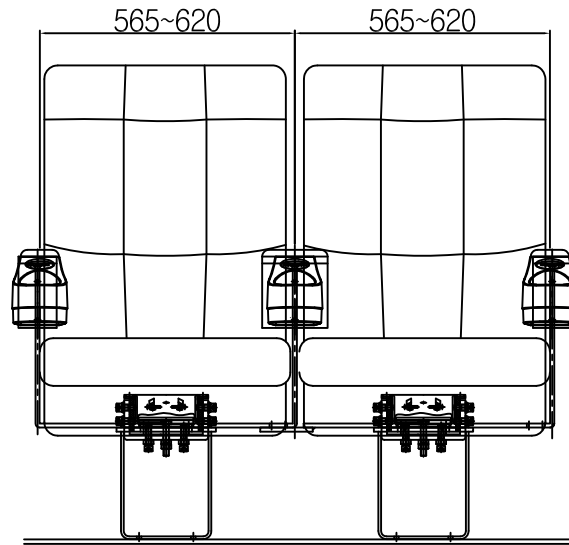
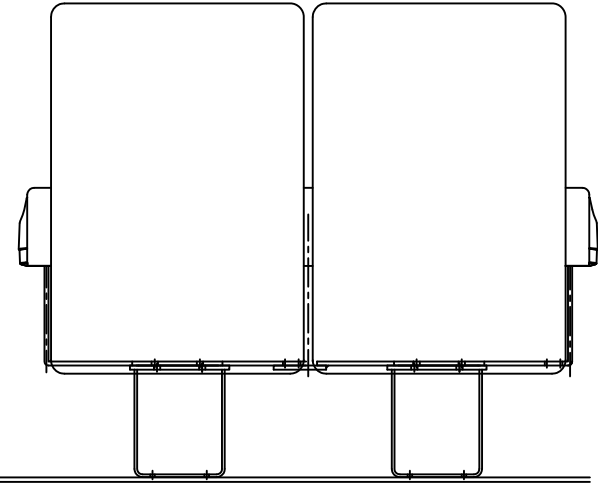


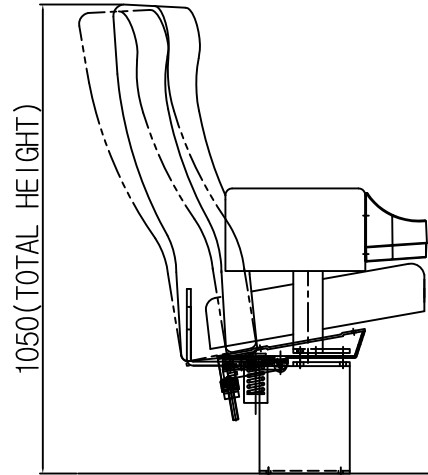
510  
(SEAT WIDTH)



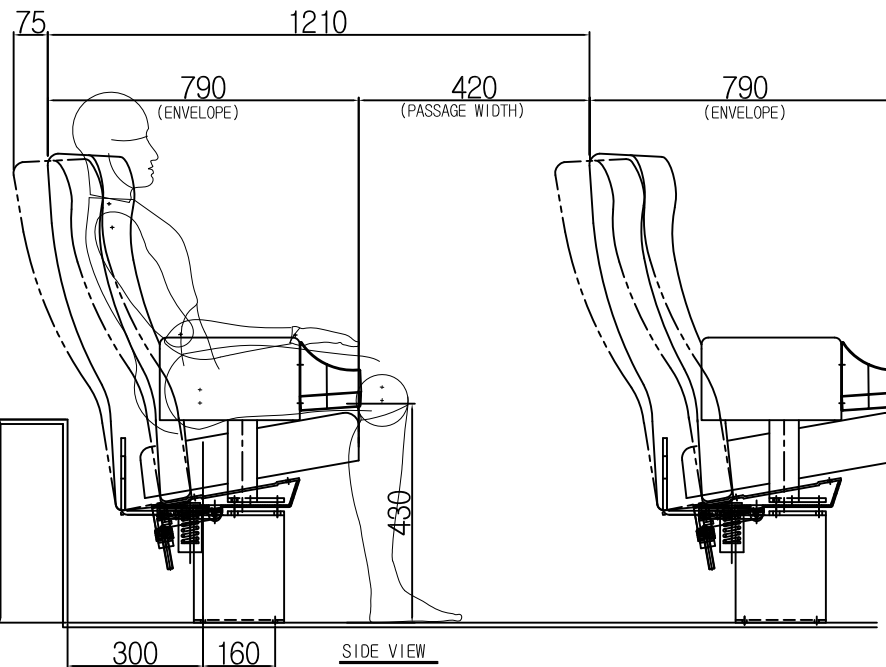
FRONT VIEW



BACK VIEW



1050(TOTAL HEIGHT)



SIDE VIEW

## HS1080PL-FA

PROJECT		SUBJECT	HS1080PL-FA
DRAWN BY	K.S YANG	APPROVAL BY	S.H GO
TABLE	A3	SCALE	1/11
UNIT	mm	DATE	2012 .
REVISION	: - :		
REVISION	: - :		
REVISION	: - :		

**solenco**

HYESUNG MFG.CO., INC.

HOMEPAGE : <http://www.seatsolutions.co.kr>  
 TEL:(032)815-1114, (02)569-1114 FAX:(032)815-1117, (02)557-7353  
 44BL 6LOT 434-6 Nonhyun-Dong, Namdong-ku, Incheon, 405-818, KOREA  
 18F Union Center 837-11 Yeoksam-Dong, Kangnam-ku, Seoul, 135-080, KOREA